

APOLLO

MULTIGYM

With a proven track record of durability and performance, the APOLLO has become a favorite for correctional facilities and outdoor fitness parks.

Real Fitness Equipment for Real Results

The APOLLO Multigym brings the fundamentals of indoor commercial fitness equipment to the outdoors in a tamperproof, weatherproof, and highly durable design. Compact, cost-effective, and entirely safe, the APOLLO is built to accommodate users of all fitness levels and abilities.



 **TAMPERPROOF.**  **WEATHERPROOF.**  **SAFE.**

VERSATILE PULLEY STATION

The APOLLO includes a highly popular HI-LO pulley station, ideal for a wide range of standing or seated exercises. Its innovative, tamperproof selectorized weight stack allows for easy weight adjustments from 10 to 100 lbs. Built-in locking safety features eliminate pinch points and entrapment zones commonly found in traditional selectorized weight stack systems.

56+ DIFFERENT EXERCISES

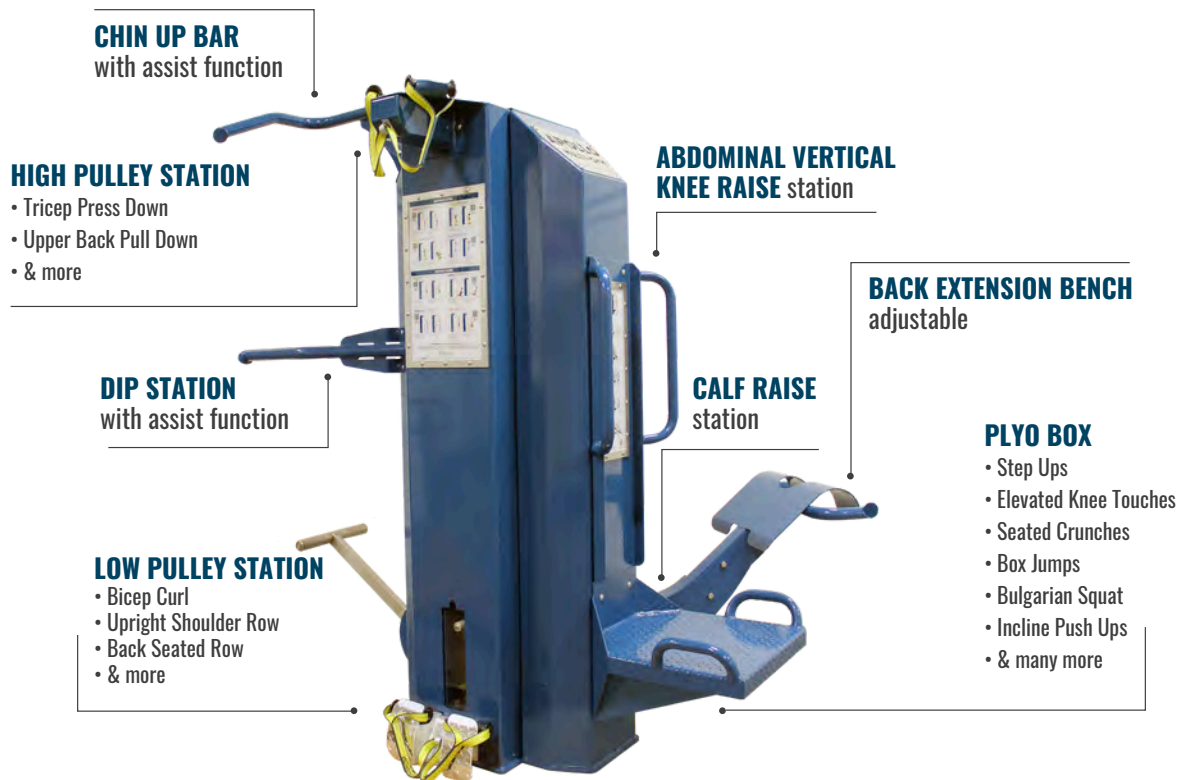
The APOLLO is designed to provide a full-body workout with over 56 different exercises. Featuring adjustability where it matters most and a unique chin/dip assist mechanism, the APOLLO Multigym is ideal for users of all fitness levels.

5 SIMULTANEOUS USERS

The APOLLO maximizes your available space by allowing up to five users to work out at the same time. With multiple exercise stations strategically integrated into its compact design, the APOLLO ensures that users can engage in a variety of workouts simultaneously without compromising safety or functionality.



The APOLLO is built to maximize indoor or outdoor exercise areas, with over 56 exercises available:



TECHNICAL SPECIFICATIONS



Width: 73" / 185 cm

Length: 76" / 193 cm

Height: 85" / 216 cm

Use Zone: 13'10" x 12'6"

Weight: 1046 lbs / 475 kg

Fall Height: 84" / 213cm

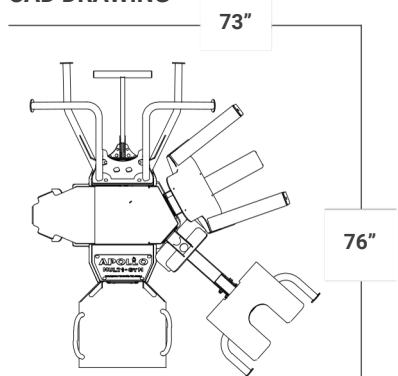
Weight Stack Weight: 100 lbs / 45 kg

Shipping Weight: 1176 lbs / 534 kg

Shipping Dimensions: 48" wide x 72" long x 85" high /
122 cm wide x 183 cm long x 216 cm high



CAD DRAWING



Instructional Placards: Reverse print with UV-stabilized ink on 1/4" thick Lexan. Bolted to the columns with a stainless steel trim ring using stainless steel carriage bolts.

Frame: Constructed of 3/16" and 1/4" thick heavy-duty steel. All fasteners are tamperproof stainless steel carriage bolts with a smooth, rounded head and square neck. The locking nuts are shielded behind a padlocked access hatch.

Finish:

- All parts have surfaces prepped and cleaned of all mill scale, rust, oils, and dirt using shot blast and/or chemical wash.
- Primer coat is applied with epoxy zinc-rich primer (3-4 mil thickness) and cured in oven. Primer designed for superior rust protection. Tested for 3000 hours of salt spray resistance.
- Top finish coat is applied with TGIC-FREE weather-resistant polyester powder (3-4 mil thickness) and cured in oven. Tested for 1500 hours of salt spray resistance.
- All parts inspected to be free of paint defects prior to shipping.



Accessibility: It is the manufacturers' opinion that the Apollo Multigym conforms to the A.D.A. Accessibility standard, assuming an accessible protective surfacing is provided, or within the entire use zone.