

# JZCC-4400: HIGH TEMP TRAY



**MATERIAL:** Polyphenylsulfone

- Can withstand temperatures up to 400° F
- Extreme impact resistance
- Reusable
- Recyclable
- Dishwasher safe
- Microwave safe
- Cook/chill rethermalization safe

**DESIGN:** 3 compartment – small SHU trays

- Stackable with or without lids
- 2-rib design for added strength and structural integrity
- 12 degree slopes for more generous food presentation and more complete wash/dry cycle
- Textured serving compartment bottoms for added product life
- Compatible with JonesZylon heated and refrigerated carts

**COLORS:**

BLACK      TEAL

**DIMENSIONS:**

Length: 8.44"    Width: 6.33"    Height: 1.88"

Height with lid: 2.31"

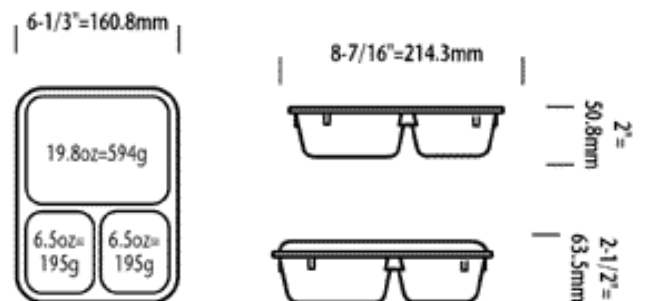
Double park trays in standard door slot (no need to wait for inmate to remove first one)

Compartment sizes:  
Lg: 19.8    Sm: 6.5oz    Sm: 6.5oz

**CASE PACK:** 24 trays per case

**COMPATIBLE LID:** JZL-4400

Same colors and same properties



Jan 2017



www.joneszylon.com